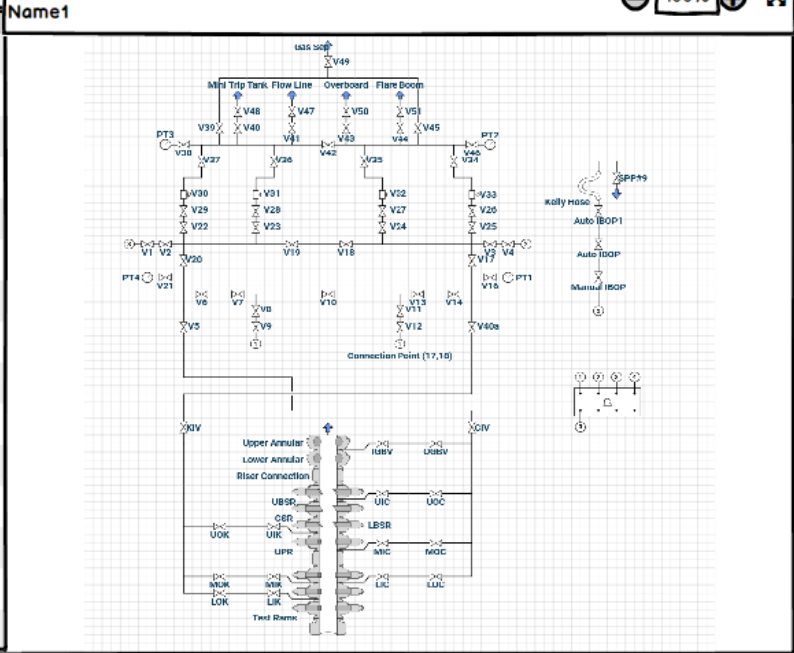


Edit	Select	Name	Type	Last Edited	Preview
<input checked="" type="checkbox"/>	<input checked="" type="checkbox"/>	Name1	BOP	8/8/2017 2:46:23 PM	<input type="button" value="Preview"/>
<input type="checkbox"/>	<input type="checkbox"/>	Name2	BOP	8/8/2017 2:46:23 PM	<input type="button" value="Preview"/>
<input type="checkbox"/>	<input type="checkbox"/>	Name3	BOP	8/8/2017 2:46:23 PM	<input type="button" value="Preview"/>
<input type="checkbox"/>	<input type="checkbox"/>	Name4	BOP	8/8/2017 2:46:23 PM	<input type="button" value="Preview"/>
<input type="checkbox"/>	<input type="checkbox"/>	Name5	BOP	8/8/2017 2:46:23 PM	<input type="button" value="Preview"/>
<input type="checkbox"/>	<input type="checkbox"/>	Name6	BOP	8/8/2017 2:46:23 PM	<input type="button" value="Preview"/>
<input type="checkbox"/>	<input type="checkbox"/>	Name7	BOP	8/8/2017 2:46:23 PM	<input type="button" value="Preview"/>
<input type="checkbox"/>	<input type="checkbox"/>	Name8	BOP	8/8/2017 2:46:23 PM	<input type="button" value="Preview"/>



Verification Report - Goes into the Reporting Area of the Plan

Dashboard

Schematics

Steps



Schematic Coverage Modes Coverage Preview Coverage Requirement Minimum Required Test Pressure

Coverage Requirement Editor

Save Cancel

Preview

100% zoom and refresh icons

Dashboard

Pipe Attachments

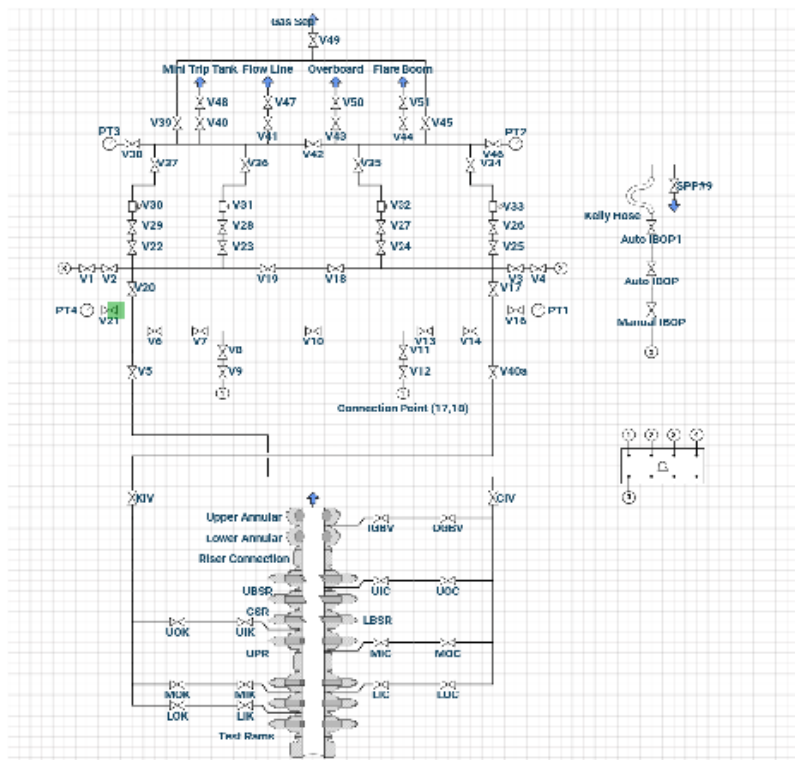
- DFCV x 10.1 in
- DFCV x 8 in
- Test Sub x 10.1 in
- Test Sub x 8 in

Schematics

Components

V21-R

Steps



Dashboard

Schematic Coverage Modes Coverage Preview Coverage Requirement **Minimum Required Test Pressure**

Minimum Required Test Pressure Editor Save Cancel

Enable Minimum Required Test Pressure Feature

Pressure Groups

Manifold-A	<input type="text" value="3,000"/> psi
Other	<input type="text" value="2,000"/> psi

Required Aspects - No Group

None

Schematics

Steps

Preview 100%

