

1 Calibration 15,000 psi 1.2 bbl

Calibration Step 1 Save

Planned

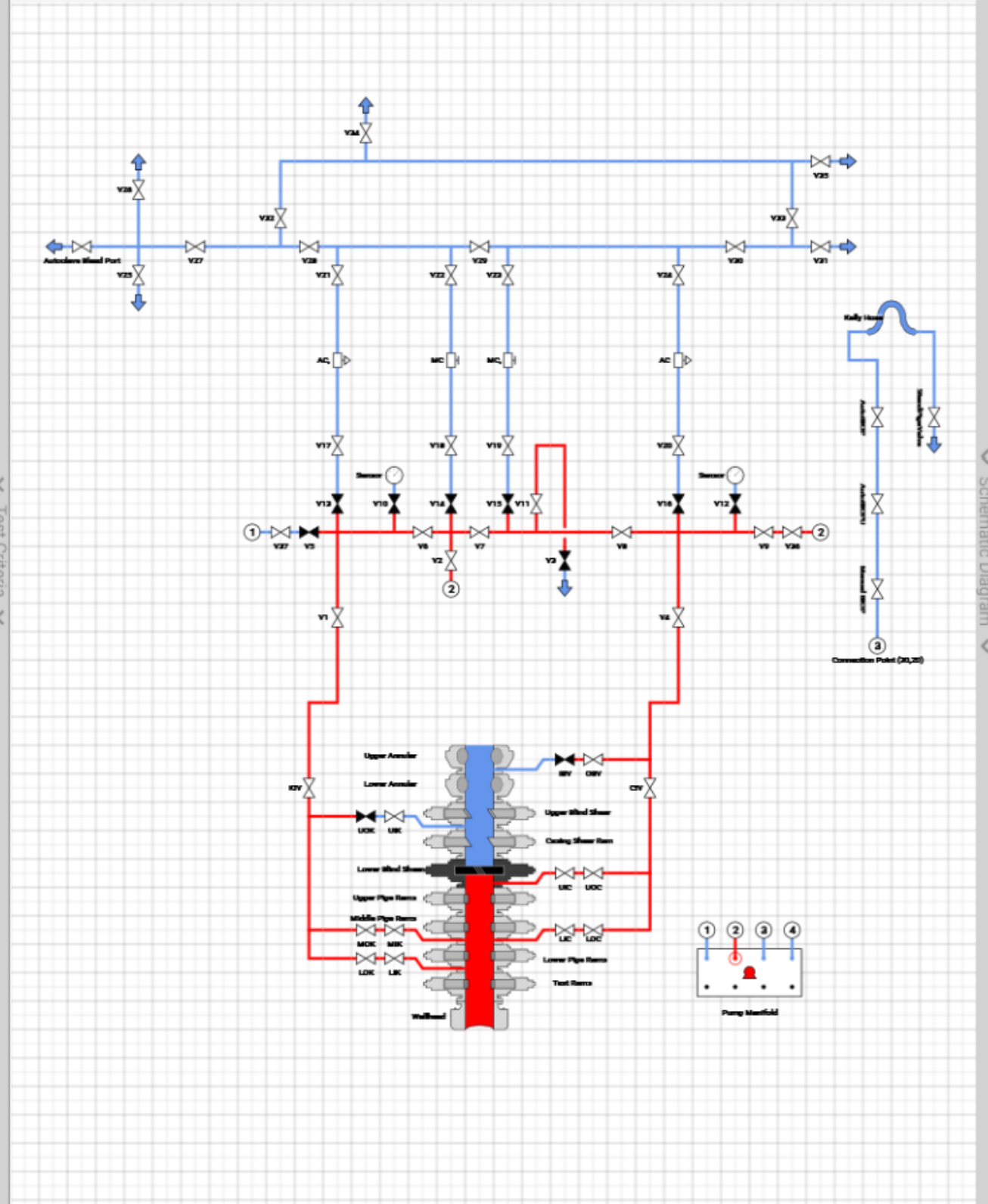
Pressure Increment (Increase) psi

Volume to be Pumped bbls

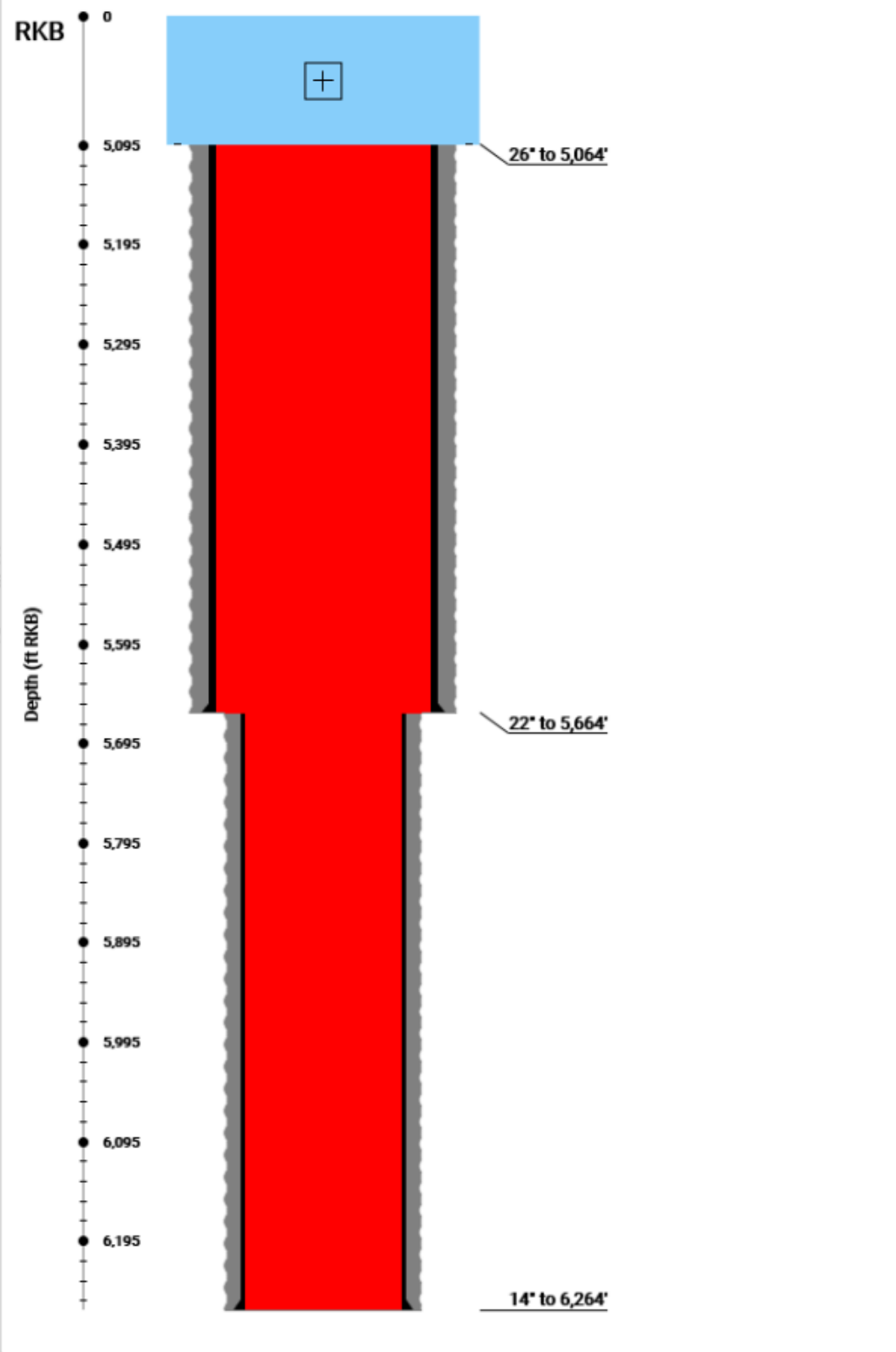
Comments

Identify Primary Tested Components Legend

Add Pipe Enable Isolated Pressure



Pressure Source From Schematic Identify Primary Tested Components



1a ⋮
 Calibration

1 ⋮
 11,500 psi

Current 1 ▾ Next 1 ▾

Test Information

System Manifold A

Tested Components Kelly Hose, Standpipe Valve-B, LIK-L, Lo-Touq-2-T, Lo-Touq-3-T, Lo-Touq-6-B, UIK-L, V-10-R, V-12-L, V-14-B

Comments & Actions

HP < 700.0 psi (10%)/30 min Pressure Change

Flat-Line Validation in 2:13 -210 psi

Rate of Change -11.5 psi/min

Pressure 11,500 psi

Rate 4.00 bbl/sec	Volume 4.00 bbl
-----------------------------	---------------------------

Running

Pause	Begin Analysis	Stop
-------	----------------	------

Attempt 1 ▾

Compare

Action ▼

Charts Summary

Summary	
Attempt	
Status	
Start Time	
End Time	
Duration	
Final Pressure	
Total Volume	
Pressurized Components	

Actual Pressure	
Pressure (psi)	100
Cumulative Volume Bleed (bbls)	100
Cumulative Volume Pumped (bbls)	100

Transducer	
Name	
Manufacturer	
Model	
Serial #	
Calibration Date	

Plan Step Notes

Notes